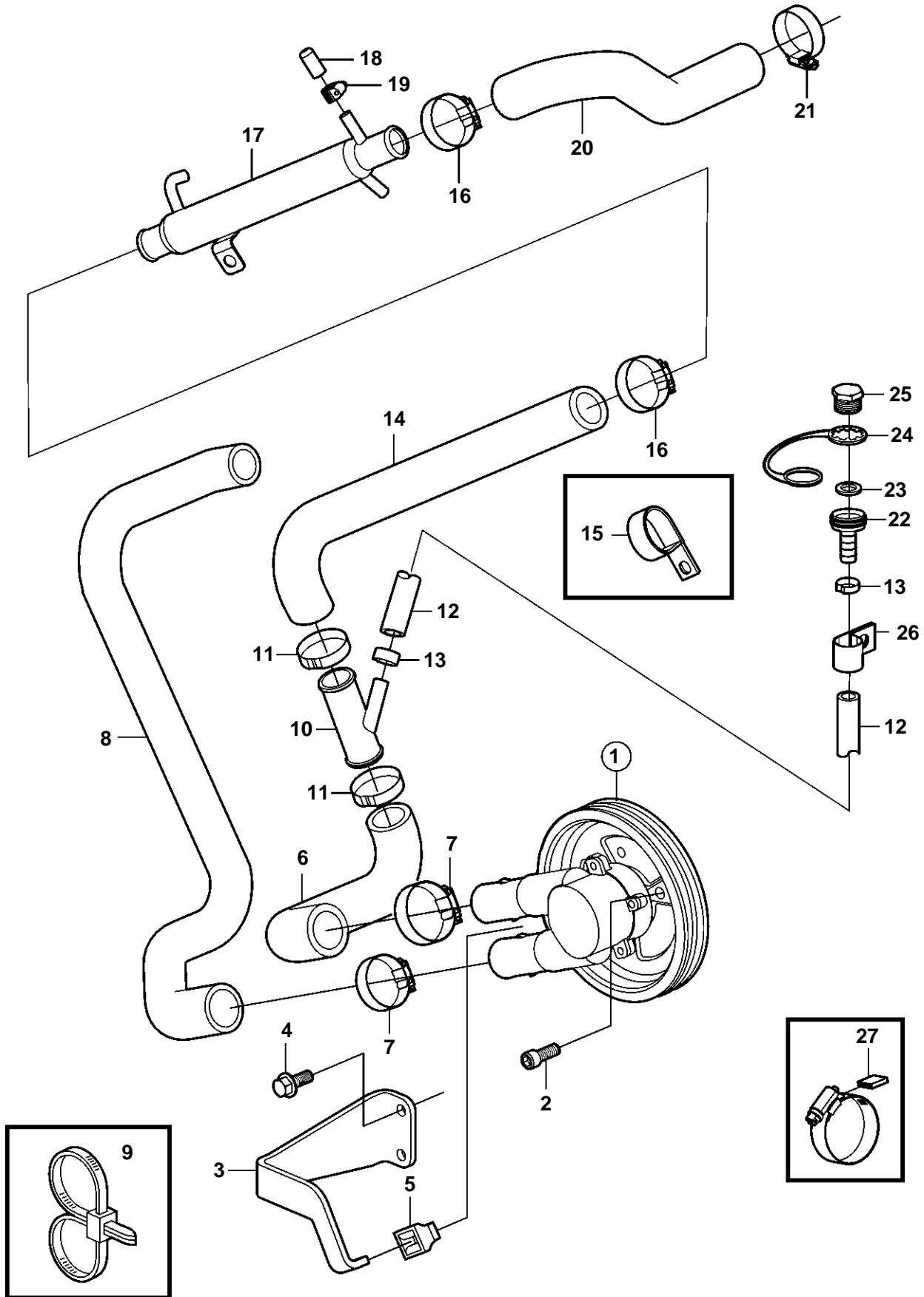


5.7GL-E, 5.0GL-E



20171

5.7GL-E, 5.0GL-E

| REF | PART NO. | QTY | DESCRIPTION         | SEE SEC. | NOTES             |
|-----|----------|-----|---------------------|----------|-------------------|
| 1   | 3862487  | 1   | Pump                | 6928     |                   |
| 2   | 3857939  | 3   | Screw               |          |                   |
| 3   | 3858241  | 1   | Stay                |          |                   |
| 4   | 3860163  | 2   | Screw               |          |                   |
| 5   | 3857954  | 1   | Stop lug            |          |                   |
| 6   | 3862542  | 1   | Hose                |          |                   |
| 7   | 3863440  | 2   | Hose clamp          |          |                   |
| 8   | 3858237  | 1   | Hose                |          |                   |
| 9   | 3850115  | 1   | Retainer            |          |                   |
| 10  | 3862699  | 2   | T-pipe              |          |                   |
| 11  | 982645   | 2   | Clamp               |          |                   |
| 12  | 3862901  | 1   | Hose                |          |                   |
| 13  | 983146   | 2   | Clamp               |          |                   |
| 14  | 3862543  | 1   | Hose                |          |                   |
| 15  | 3853312  | 1   | Clamp               |          |                   |
| 16  | 3863444  | 2   | Hose clamp          |          |                   |
| 17  | 3862629  | 1   | Oil cooler          |          |                   |
| 18  | 3856766  | 1   | Cardboard tube      |          |                   |
| 19  | 3860413  | 1   | Hose clamp          |          |                   |
| 20  | 3861567  | 1   | Hose                |          |                   |
| 21  | 3863444  | 1   | Hose clamp          |          |                   |
| 22  | 3862902  | 1   | Flushing connection |          |                   |
| 23  | 3862079  | 1   | Gasket              |          |                   |
| 24  | 3862082  | 1   | Retainer            |          |                   |
| 25  | 3862656  | 1   | Cardboard tube      |          |                   |
| 26  | 3862891  | 1   | Attaching clamp     |          |                   |
| 27  | 3858532  | X   | Cover               |          | W=0.465" (11.8mm) |
|     | 3861999  | X   | Cover               |          | W=0.300" (7.6mm)  |